

I N D U S T R I A L   A N D   C L E A N I N G   E Q U I P M E N T



# 3000 REVOLUTION



I N D U S T R I A L   A N D   C L E A N I N G   E Q U I P M E N T



**Comfort**

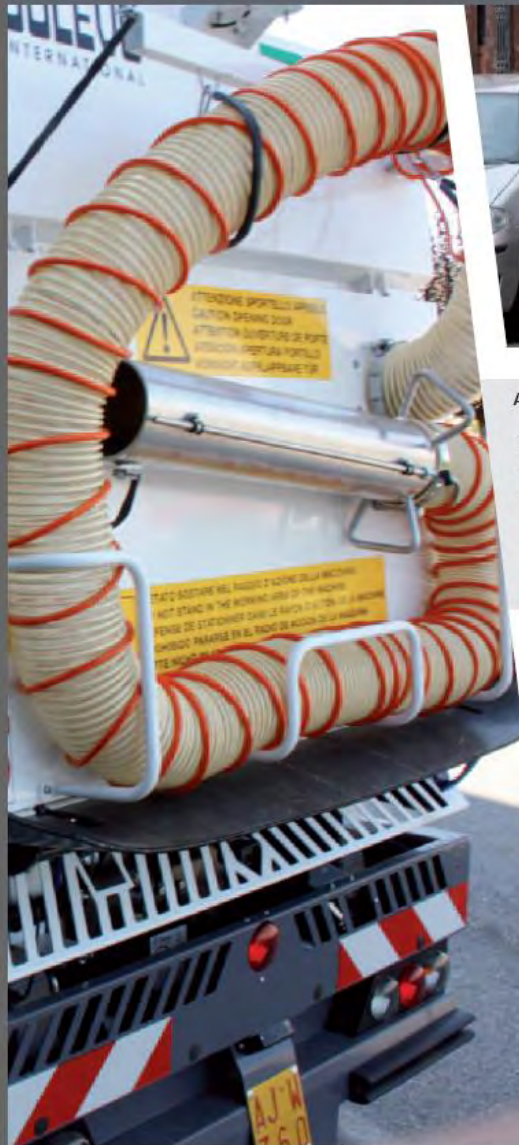
Operators comfort and ergonomics are our priority together with application specifications. Effective axle suspensions and ideal weight distribution insure a balanced and safe drive ability. The powerful drive transmission guarantees the use in difficult conditions and on slopes too.



**Cabin**

The generous interior space of the cabin and the quality seats make the machine an extremely comfortable workplace. An additional insulation and springs protect the operator from noise emissions and vibrations. The large window surfaces of the cab allow the all-round view of the working area. The standard equipment includes heated mirrors, air condition and a charging plug for mobile devices.





**Application**

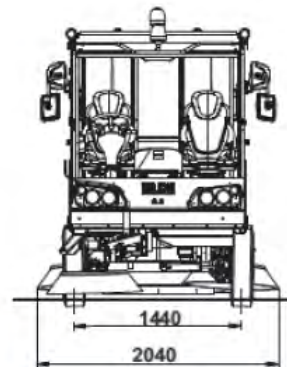
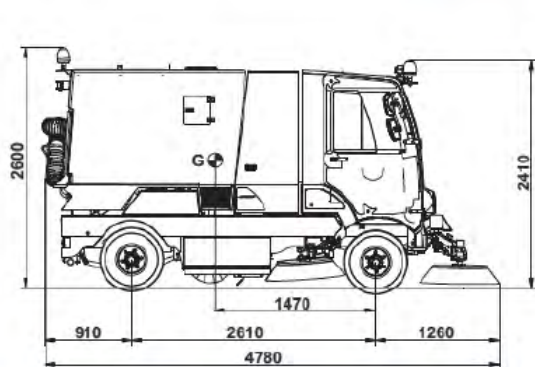
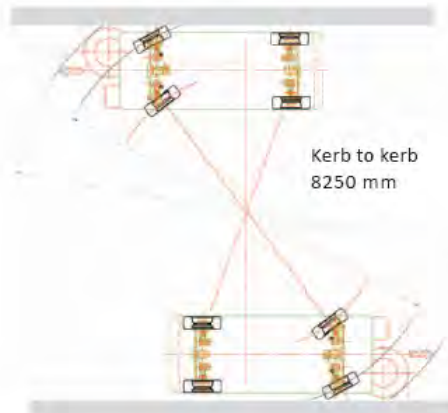
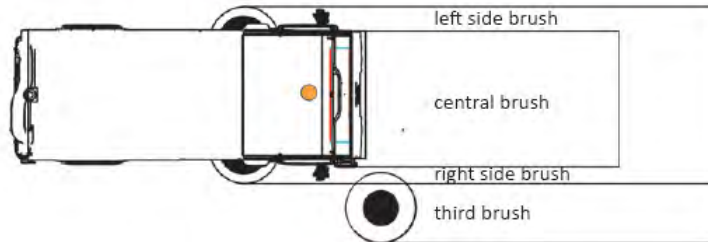
The 180-degree full motion massive front brush is an indispensable auxiliary tool for sweeping corners, gutters and for increasing working width.

The hopper uplifting system allows the discharge of the debris in refuse containers, trucks or in big refuse compactors. A variety of options expand the working spectrum of Dulevo 3000 Revolution – everywhere at any time.



**Security**

One of Dulevo priority has always been the safety in the working environment of the machine. Dulevo 3000 Revolution is standardized equipped with a reverse camera with a colour screen in the cabin next to an acoustical warning.



| Technical data         |                   | 3000 Revolution |
|------------------------|-------------------|-----------------|
| Sweeping width:        |                   |                 |
| -with central brush    | mm                | 1300            |
| -with side brushes     | mm                | 2100            |
| -with third brush      | mm                | 2900            |
| Central brush diameter | mm                | 520             |
| Side brushes diameter  | mm                | 875             |
| Third brush diameter   | mm                | 875             |
| Waste hopper capacity  | L                 | 3300            |
| Dumping height         | mm                | 1600            |
| Water tank capacity    | L                 | 380             |
| Seats in the cabin     | n°                | 2               |
| Cleaning performance   | m <sup>2</sup> /h | 87000           |
| Maximum speed          | Km/h              | 40              |
| Filtration PM10        | %                 | 99              |
| Engine "Make"          |                   | VM              |
| Alimentation           |                   | Diesel          |
| Weight                 | Kg                | 4585            |